

series : **CARTAR**  
**"FL mobile"**

**CARTAR** LIFT & MOVE  
mobile hoist technology

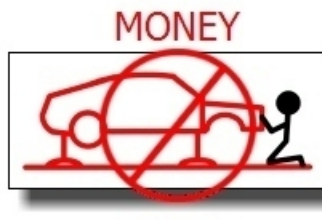


**Fact 1-** "injuries reported whilst working under, or in the moving of damaged vehicles is INCREASING annually".

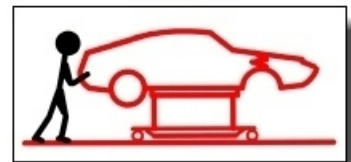
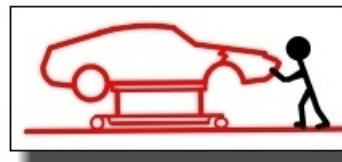
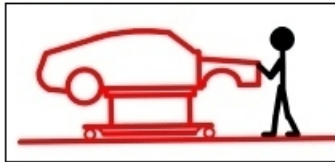
**Fact 2-** "any tradesperson that is required to either lay or kneel on cold concrete for longer than 20 minutes, may sustain PERMANENT injury."

(World Health Report 2004)

series : **CARTAR**  
**"FL Mobile"**



Solution: ↓



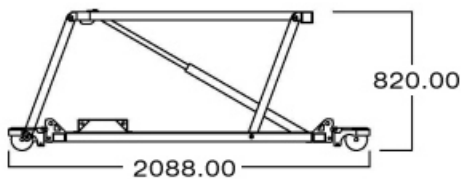
**features:**

- \*Australian made
- \*Quality made-Long Life
- \*Power Source-Air Compressor (Air/Hyd)
- \*Required Air Pressure : 50 - 100 p.s.i
- \*Front /Rear Loading. Drive on-drive off
- \*No on-board Electrics
- \*Weather Resistant- use inside or outside
- \*On-board Oil Tank and Pump
- \*Max Lift : 2200kg/4700lbs
- \*Turning Circle : 360 degrees on all 4 wheels
- \*Quality Safety Features
- \*Shipping Weight : 265kg/583lbs

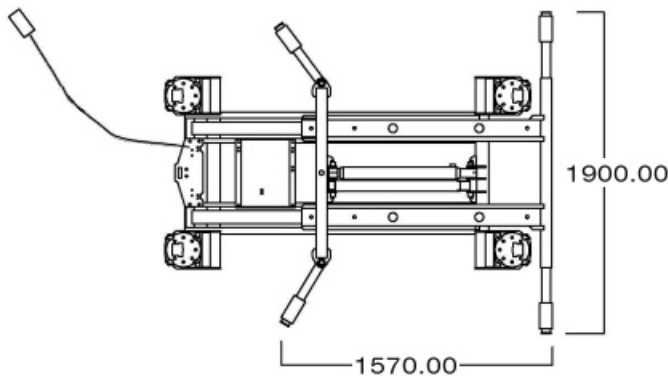
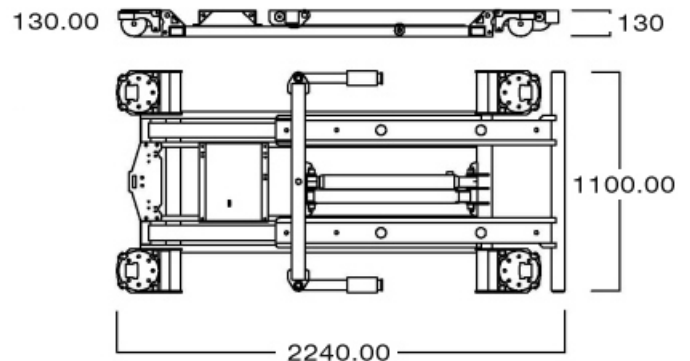
CARTAR Patented  
Castor Wheel



elevated



retracted



Authorized Distributor



Head Office CARTAR Australia P.O Box 90 . Mt.Martha . Australia . 3934 tel / fax : +61 3 59 87 1514 email : info@cartar.com.au  
 ABN 78 884 276 079

visit our Showroom Online:- [www.cartar.com.au](http://www.cartar.com.au)

Patents: USA Pat 6,619620. Aust Pat 750669 PCT-3/00343. Euro Pat: 98960 887-2