

# W400

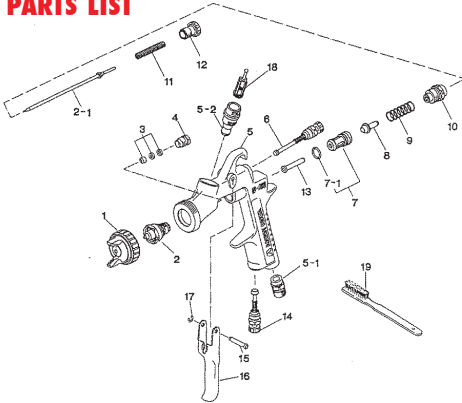
## Centre Gravity Feed Spray Gun



- High Transfer Efficient - greater than 65% onto the job
- Less overspray = less wastage
- Designed for base coat, clear coat, solvent & waterborne applications
- Fine atomization spray pattern
- More paint coverage - fast operation
- New lightweight ergonomic design
- Gun head weight only 380 g
- Suitable for waterborne materials
- Easy to clean chrome body
- Ideal for medium to large paint jobs in the auto refinsh industry



### PARTS LIST



Item No.	Part No.	Description
1	93830611	Air Cap Set LV2 (122, 142, 162)
1	93859611	Air Cap Set LV1 (182)
1	93813611	Air Cap Set W1 (251)
1A	93512600 #	Air Cap Cover Ring
1B	93708240 #	Air Cap Packing
2	93527610	Fluid Nozzle 1.2mm
2	93611610	Fluid Nozzle 1.3mm
2	93540610	Fluid Nozzle 1.4mm
2	93541610	Fluid Nozzle 1.6mm
2	93525610	Fluid Nozzle 1.8mm
2	93523610	Fluid Nozzle 2.5mm

Item	Part No.	No.	Description
2-1	93829600		Fluid Needle 1.2mm
2-1	93830600		Fluid Needle 1.3-1.6mm
2-1	93831600		Fluid Needle 1.8mm
2-1	93832600		Fluid Needle 2.5mm
3	93834530		Needle Packing Set
4	93581530		Needle Packing Seat
5	93825610		Body Set, Gravity
5-1	93660300		Air Nipple
5-2	93650530		Fluid Nipple
6	93842600		Fan Pattern Adjust Set
7	93843530		Air Valve Seat Set
7-1	96638008		O Ring
8	93591530		Air Valve
9	93719530		Air Valve Spring
10	93844530		Fluid Adjust Guide
11	93593530		Fluid Needle Spring
12	93594531		Fluid Adjust Knob
13	93595530		Air Valve Shaft
14	93845530		Air Adjust Set
15	93667360		Trigger Stud
16	93517600		Trigger
17	93912030		E Stopper (pkt 2)
18	SEL3		Filter. Pkt 3
19	96990600		Brush
20	PCG.6PM		600 ml pot assembly
21	94002300		Lid & Stopper
22	94003320		Breather stopper
	PCG.7M		Metal Pot 700 ml
	PCG7.RSK		Lid for Metal Pot Pkt 2
	K100		Gun Spanner
	W400RSK		Reservice kit includes items with #

### ACCESSORIES



**PCG.6PM**  
600 ml pot

Mix and Spray System Components



**SEL.11**  
Spray Gun Cleaning Kit



**SEL.3**  
Paint Filters



**015001**  
Super Lube

	W400122GC	W400132GC	W400142GC	W400162GC	W400182GC	W400251GC	MAIN APPLICATION Auto-Refinish
	●	✓	●				<b>Material Type</b>
				●	✓		Etch Primer
						●	Primer - 1K
						●	Filling Primer - 2K
						●	Spray Putty
	●	✓					Stain
				●	✓	●	Lacquer - Furniture
				●	✓	●	Acrylic Lacquer
				●	✓		Enamel - Air Dry
	●	✓	●				Polyurethane/Urethane
				●	✓		Top Coat Solid Colour - 2K
				●	✓		Base Coat - 2K
				●	✓		Base Coat - Waterborne
	●	●	✓				Clear Coat - 2K
				●	✓	●	High Solids - 2K (80-85%)
					✓	●	Contact Adhesive
					●	●	Epoxy
					●	✓	High Build Epoxy
					●	●	Zinc
						●	Chlorinated Rubber
	●	●	●				<b>Paint Viscosity (Ford Cup #4)</b>
							< 18 sec
	●	●	●				18 - 26 sec
				●	●	●	26 - 33 sec
	<p>✓ - Ideal for this material application</p> <p>● - Suitable for this material application</p>						

Order No.	Description	Fluid Nozzle Size mm	Air Pressure @Gun Inlet bar (psi)	Air Consumption l/min (cfm)	Fluid Output ml/min	Fan Pattern mm	Air Cap No.
W400122GC	Spray gun & PCG.6PM 600 ml pot	1.2	2.0 (28)	270 (9.9)	140	175	LV2
W400132GC	Spray gun & PCG.6PM 600 ml pot	1.3	2.0 (28)	270 (9.9)	180	215	LV2
W400142GC	Spray gun & PCG.6PM 600 ml pot	1.4	2.0 (28)	270 (9.9)	210	255	LV2
W400162GC	Spray gun & PCG.6PM 600 ml pot	1.6	2.0 (28)	270 (9.9)	240	270	LV2
W400182GC	Spray gun & PCG.6PM 600 ml pot	1.8	3.0 (43)	290 (10.2)	400	260	LV1
W400251GC	Spray gun & PCG.6PM 600 ml pot	2.5	3.0 (43)	290 (12.7)	580	310	W1