

# W400 WB

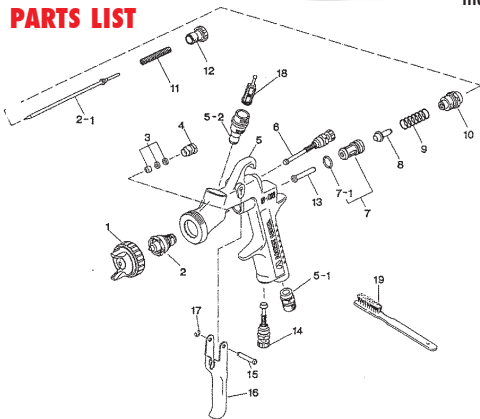
## Centre Gravity Feed Spray Gun



**ANEST IWATA**

- High Transfer Efficient - greater than 65% onto the job
- Less overspray = less wastage
- Designed for base coat, clear coat, solvent & waterborne applications
- Fine atomization spray pattern
- More paint coverage - fast operation
- New lightweight ergonomic design
- Gun head weight only 380 g
- Perfect for waterborne materials
- Easy to clean chrome body
- Ideal for medium to large paint jobs in the auto refinsh industry
- Ideal for the spraying of higher solids products such as clear coats
- Fine atomization and large soft fan pattern are ideal where colour matching is difficult

### PARTS LIST



Item No.	Part No.	Description
1	93896610	Air Cap Set WB1
1A	93512600 #	Air Cap Packing
1B	93708240 #	Cap Packing
2	93625610	Fluid Nozzle 1.4mm
2-1	93830600	Fluid Needle 1.3-1.6mm
3	93834530	Needle Packing Set
4	93660300	Needle Packing Seat
4A	93810620 #	Needle Packing Set with Nut
5	93825610	Body Set, Gravity
5-1	93660300	Air Nipple
5-2	93650530 #	Fluid Nipple

Item No.	Part No.	Description
6	93842600	Fan Pattern Adjust Set
7	93843530	Air Valve Seat Set
7-1	96638008	O Ring
8	93591530	Air Valve
9	93719530 #	Air Valve Spring
10	93844530	Fluid Adjust Guide
11	93593530	Fluid Needle Spring
12	93594531	Fluid Adjust Knob
13	93595530	Air Valve Shaft
14	93845530 #	Air Adjust Set
15	93667360	Trigger Stud
16	93517600	Trigger
17	93912030	E Stopper (pkt 2)
18	SEL3	Filter. Pkt 3
19	96990600	Brush
20	PCG.6PM	600 ml pot assembly
21	94002300	Lid & Stopper
22	94003320	Breather stopper
	PCG.7M	Metal Pot 700 ml
	PCG7.RSK	Lid for Metal Pot Pkt 2
	K100	Gun Spanner
	W400WBRK	Reservice kit includes items with #

W400WB14GC	MAIN APPLICATION
	<b>Auto-Refinish</b>
Material Type	<ul style="list-style-type: none"> <li>● Etch Primer</li> <li>Primer - 1K</li> <li>Filling Primer - 2K</li> <li>Spray Putty</li> <li>● Stain</li> <li>● Lacquer - Furniture</li> <li>● Acrylic Lacquer</li> <li>✓ Enamel - Air Dry</li> <li>✓ Polyurethane/Urethane</li> <li>✓ Top Coat Solid Colour - 2K</li> <li>✓ Base Coat - 2K</li> <li>✓ Base Coat - Waterborne</li> <li>✓ Clear Coat - 2K</li> <li>✓ High Solids - 2K (80-85%)</li> <li>Contact Adhesive</li> <li>Epoxy</li> <li>High Build Epoxy</li> <li>Zinc</li> <li>Chlorinated Rubber</li> </ul>
Paint Viscosity (Ford Cup #4)	<ul style="list-style-type: none"> <li>&lt; 18 sec</li> <li>● 18 - 26 sec</li> <li>26 - 33 sec</li> </ul>
	<ul style="list-style-type: none"> <li>✓ - <b>Ideal</b> for this material application</li> <li>● - <b>Suitable</b> for this material</li> </ul>

### ACCESSORIES



TECHNICAL	Fluid Nozzle Size mm	Air Pressure @Gun Inlet bar (psi)	Air Consumption l/min (cfm)	Fluid Output ml/min	Fan Pattern mm	Air Cap No.	
<b>Order No.</b> W400WB14GC	<b>Description</b> Spray gun & PCG.6P.M 600 ml pot	1.4	1.8 (26)	230 (8.1)	160	290	WB1